



CF.125

FLANGE LOAD CELLS



- ✓ Compact design
- ✓ Easy installation
- ✓ High reliability
- ✓ Strain gauge technology
- ✓ Measuring range from 500N to 2500N

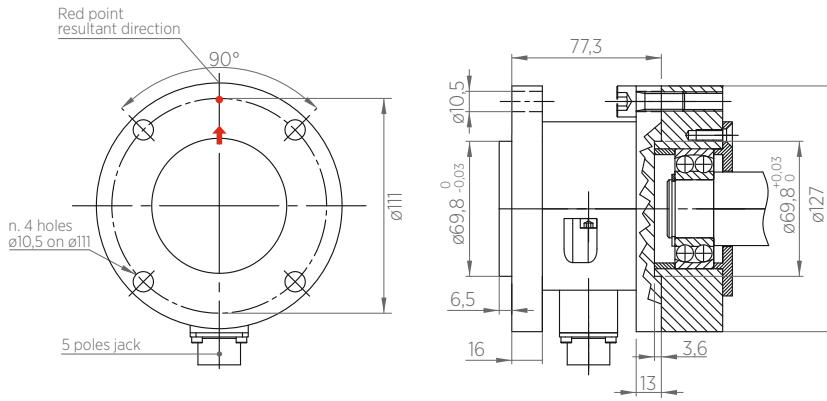
A reliable web tension control may reduce web tears in order to increase productivity. CF flange load cells, used in a precise tension control system, are designed to carry out these delicate tasks.

They are installed at the end of a measuring roller to precisely detect the resultant of the forces generated by pulling of the material depending on the wrapping angle.

CF load cells have been designed with a compact design, to easily fit them in narrow spaces, to be installed very easily and to reach a very high reliability.

Operating principle: CF load cells use the strain gauge operating principle to guarantee a perfect detection of the web tension. Strain gauges resistors are mounted on a inner metal foil of a load cell and connected to each other in a "wheatstone bridge" able to convert a mechanical movement into an electrical signal, that must be amplified by suitable amplifiers.

TECHNICAL DRAWING



Selection model table

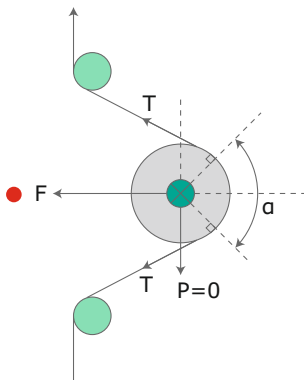
Code	Load N
CF.125.50	500
CF.125.100	1000
CF.125.175	1750
CF.125.250	2500

* for other model contact our technical dpt.

CF.125.xx
 ↳ Load N
 ↳ Load cell model

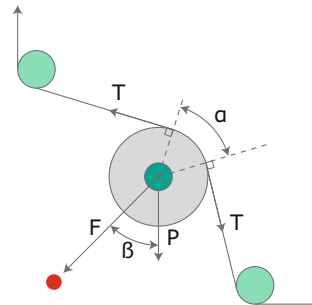
CALCULATION

HORIZONTAL RESULTANT



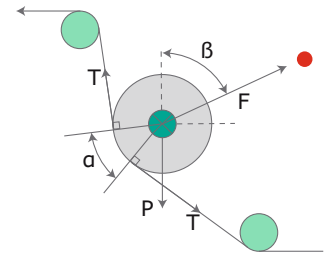
$$F = T \sin \alpha/2$$

DOWNWARD RESULTANT



$$F = T \sin \alpha/2 + P/2 \cos \beta$$

UPWARD RESULTANT



$$F = T \sin \alpha/2 - P/2 \cos \beta$$

TECHNICAL DATA

Precision class		0.5%
Sensitivity	Normal Supply	from 1,5mV/V to 2,0mV/V max 15V (max at full-scale value: 20 mV)
Total error-repeatability-hysteresis-linearity		<0,05% full-scale value
Measuring principle		strain gauge full bridge
Strain gauge bridge resistance		350Ω Ohm
Max overload		300% full-scale value
Temperature compensation		+10°C ÷ +50°C
Working temperature		+10°C ÷ +50°C
Option		4-20 mA output

*Data are subject to technical change without notice



Re S.p.A.
 via Firenze 3
 20060 Bussero (MI) Italy

T +39 02 9524301
 F +39 02 95038986
 E info@re-spa.com

Assistenza tecnica
 Technical support
 T +39 02 952430.300
 E support@re-spa.com

Assistenza commerciale
 Sales support
 T +39 02 952430.200
 E sales@re-spa.com