



# T-ONE 28

## TENSION CONTROLLER



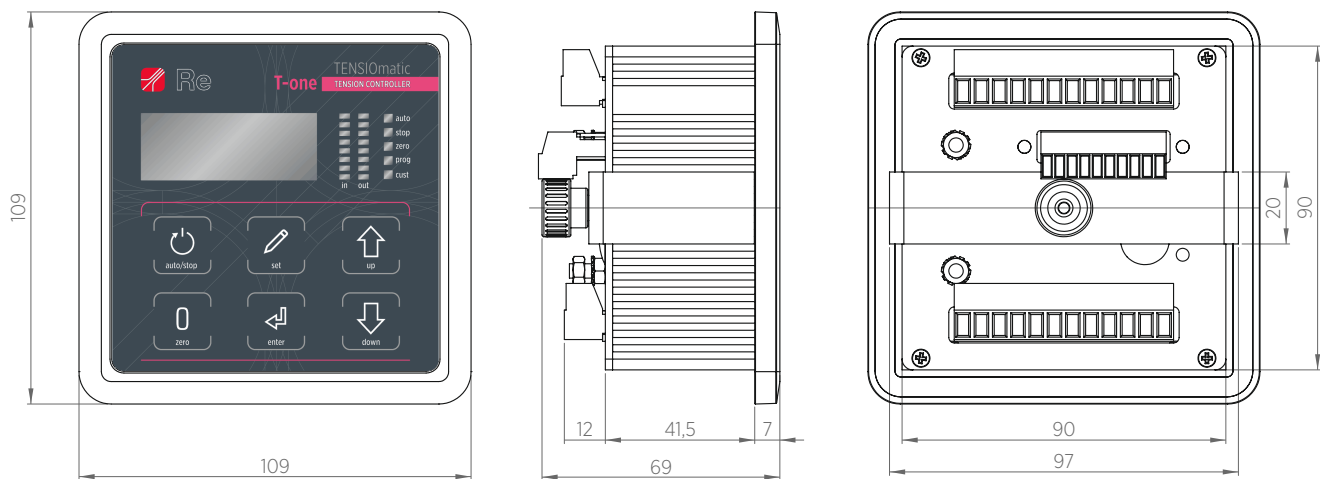
- ✓ Control of closed-loop and combined systems
- ✓ Regulation both in torque and speed
- ✓ Tension control with load cells or dancer roller
- ✓ Can be used with motors or nip roller drives
- ✓ Compact design
- ✓ Ease of use and calibration

T-one is a tension controller specifically designed for the web tension control in closed-loop and combined systems; extreme ease of use and compactness are the main features of the tension controller. The core of T-one is the P.I.D. algorithm, which has been improved in speed and accuracy.

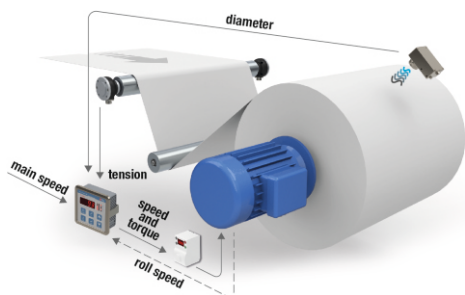
The interface with 6 buttons and 4 digit is easy to use and allows to smoothly control and set up the desired parameters to obtain the best results.

T-one 28 is used on unwinders, rewinders and nip roller drives to keep constant the web tension thanks to its ability to manage both torque and speed. With its inputs it can analyze speeds, diameter and tensioning to keep tension constant, increasing or decreasing it (taper tension) accordingly to kind of material and machine.

## TECHNICAL DRAWING



## APPLICATIONS



Regulation in torque/speed with load cells or dancer roller for motorized unwinders/rewinders

## TECHNICAL DATA

|  |   |
|--|---|
| Power supply                           | 24 Vdc  |
| Power                                  | 8 W max   |
| Analog inputs 0÷10 V                   | 1 dancer roller or remote setpoint<br>1 diameter or reel speed<br>1 line speed                |
| Analog input 0÷20 mV / 4÷20 mA         | 1 max 2 load cells  |
| Digital inputs 24 V                    | 6 remote controls   |
| Analog output 0÷10 V / 0÷8 V / 4÷20 mA | 1 torque motor control or dancer roller piston control or proportional to diameter or tension |
| Analog output 0÷10 V                   | 1 torque motor control or dancer roller piston control or proportional to diameter or tension |
| Digital relay outputs 24 Vdc / 24 Vac  | 2 for alarms  |
| Weight                                 | 400 g   |
| Working temperature                    | 0÷50°C  |
| IP protection class                    | IP 20 (case) IP 52 (frontal panel)  |
| Dimensions                             | 109 x 109 x 69 mm   |

\*data are subject to technical change without notice



Re S.p.A.  
via Firenze 3  
20060 Bussero (MI) Italy

T +39 02 9524301  
F +39 02 95038986  
E [info@re-spa.com](mailto:info@re-spa.com)

Assistenza tecnica  
Technical support  
T +39 02 952430.300  
E [support@re-spa.com](mailto:support@re-spa.com)

Assistenza commerciale  
Sales support  
T +39 02 952430.200  
E [sales@re-spa.com](mailto:sales@re-spa.com)