



B.651

ELECTROMAGNETIC POWDER BRAKE



- ✓ Compact design
- ✓ High precision torque control
- ✓ Zero dust emission
- ✓ Long life span
- ✓ 0,4 Nm residual torque
- ✓ 65 Nm torque
- ✓ Available with radiator or fan

Since more than 30 years the Eleflex electromagnetic powder brake series is one of our well known products.

The experience gained during years, thousands of applications, the constant research into materials and the studies carried out on brakes performance, have allowed us to increase our know how and to continually improve our product.

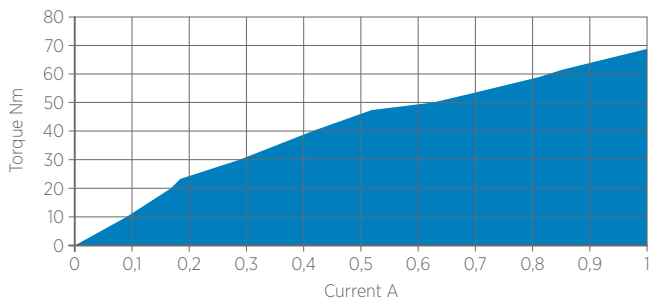
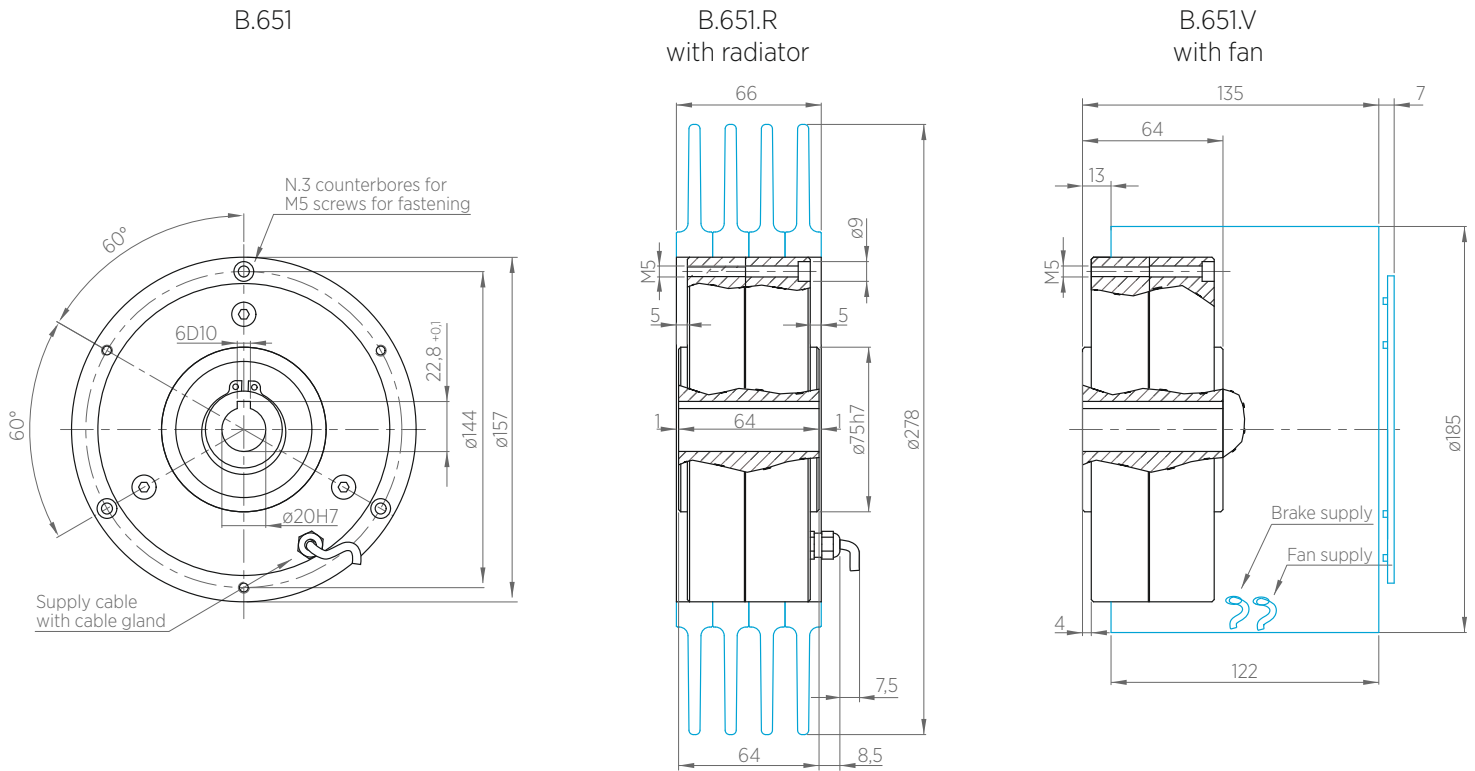
Eleflex brakes guarantee small size, high precision of the torque control, no dust emissions and reduced residual torque.

Thanks to a special design, Eleflex brakes can lower the residual magnetism and the mechanical friction, bringing down the residual torque to less than 1% of the nominal torque.

B.651 Eleflex brake is usually used in the printing industry, on flexographic and rotogravure machines, in the food packaging industry, on laminating and plastic film machines, and in those applications that require stringent dust emission tolerances, such as in hygiene industry and clean rooms.

B.651 can be provided with radiator or fan (24V, 110V or 220V) to increase the heat dissipation and, consequently, the life span of the brake.

TECHNICAL DRAWING



Functioning

The electromagnetic powder brake is made up of three basic components: the coil, the stator and the rotor. When current is supplied to the brake, the magnetic field inside the coil starts to vary in proportion to the intensity of the current. The variation in the magnetic field alters the viscosity of the special powder positioned between the rotor and the stator.

TECHNICAL CHARACTERISTICS

Torque	65 Nm
Residual torque	0,4 Nm
Max current	1 A
Resistance at 20° C	24 Ohm
Voltage (PWM)	24 V
Power dissipation	170 W with radiator 400 W with fan 800 W
Rpm min/max	40/2000 rpm
Max working temperature	70°C
Weight	6,5 kg with radiator 9 kg with fan 8,8 kg

*Data are subject to technical change without notice

** Torque values relate to dynamic slipping



Re S.p.A.
via Firenze 3
20060 Bussero (MI) Italy

T +39 02 9524301
F +39 02 95038986
E info@re-spa.com

Assistenza tecnica
Technical support
T +39 02 952430.300
E support@re-spa.com

Assistenza commerciale
Sales support
T +39 02 952430.200
E sales@re-spa.com